

TURNING

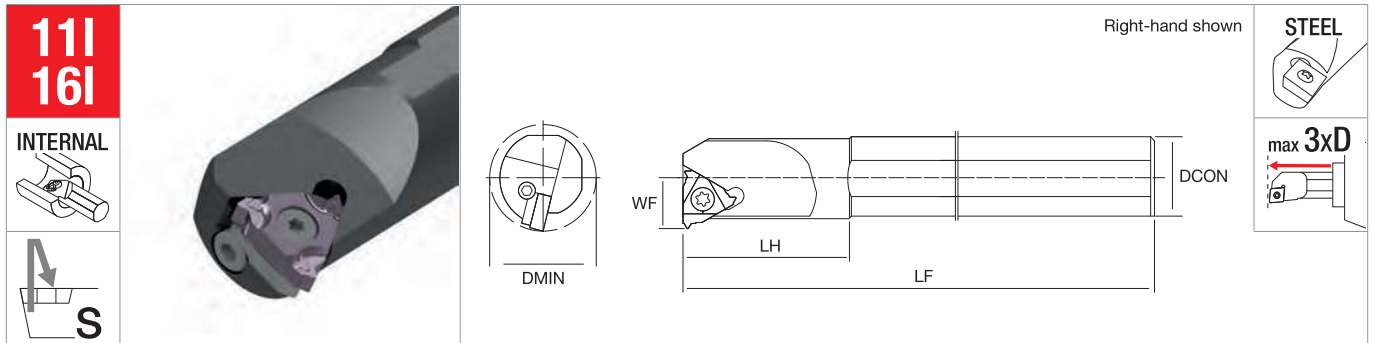
THREADING

GROOVING

MILLING

DRILLING

ACCESSORIES

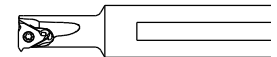


SI Internal threading		R	L	DMIN	DCON	WF	LF	LH	KG	MIID

11	NT-SIR1012-11	●		10	12	5.2	150	25		11IR□□□
	NT-SIR1216-11*	●		12	16	6.3	150	25		
	NT-SIR1516-11*	●		15	16	7.5	150	25		
16	NT-SI ^P /A.2016-16	●	●	20	16	10	150	35		16I ^P /A□□□
	NT-SI ^P /A.2420S-16	●	●	24	20	12	180	35		
	NT-SI ^P /A.3025S-16	●	●	30	25	15	200	35		
	NT-SI ^P /A.3732S-16	●	●	37	32	18.5	250	35		

● stock standard

*Reduced neck



Spare Parts	SHIM	SHIM SCREW	SHIM WRENCH	INSERT SCREW	INSERT WRENCH

NT-SIR1012-11	-	-	-	NT-ST041	NT-FT08
NT-SIR1216-11	-	-	-		
NT-SIR1516-11	-	-	-	NT-ST030	
NT-SIR2016-16	-	-	-	NT-ST030	NT-FT15
NT-SIR2420S-16	NT-SH065	NT-ST080	NT-WR025	NT-ST040	
NT-SIR3025S-16					
NT-SIR3732S-16					
NT-SIL2016-16	-	-	-	NT-ST030	NT-FT15
NT-SIL2420S-16	NT-SH060	NT-ST080	NT-WR025	NT-ST040	
NT-SIL3025S-16					
NT-SIL3732S-16					